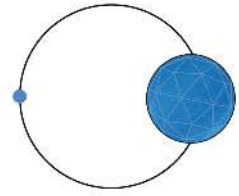


# dreamoc™ *HD3*

Factsheet

V.1.2 - 2017



ORBIS  
HOLOGRAPHICS



The Dreamoc HD3 is a 3 sided holographic display, which lets you combine a physical product with 3D holographic content. The Dreamoc is equipped with a key protected backdoor, from where you have access to the media player and the chamber inside of the Dreamoc.



## FEATURES

- 3 sided viewing
- Combine physical objects with holographic content
- High quality 3 mm glass optic
- Dirt resistant coating on optic
- Automatic and manually control spotlight
- Remote Up/Download of content via FTP
- Bright and sharp picture quality
- Easy change of content
- Key protected backdoor
- Seven push button for easy operation
- Built-in loudspeakers
- HDMI input for interactivity
- Programmable on/off timer

## SPECIFICATIONS

- **Power Consumption:** 50W (Max)  
< 1W (Deep st.by.) < 5W (St.by.)
- **Power input:** 90~264 Vac, 50/60Hz
- **Screen size:** 23", 16:9
- **Resolution:** Full HD 1920 X 1080p
- **Content:** WMV, MP4, AVI, MPEG1/2/4, H.264, VC-1 are supported
- **Sound out:** 2 x 10W
- **Spotlight:** adjustable from 0 to 8W or automatic control by movie
- **Input:** 1 x HDMI , 1 x SD slot
- **SD card:** Minimum class 4 - maximum 32Gbyte
- **Network:** RJ45

# MEASUREMENTS

**WxHxD:** 560 x 342 x 420 mm

**Weight:** 18 ±1.0 kg

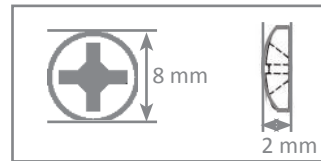
**Freight measurements**

**WxHxD:** 680 x 440 x 540 mm

**Weight:** 22 ±1.0 kg

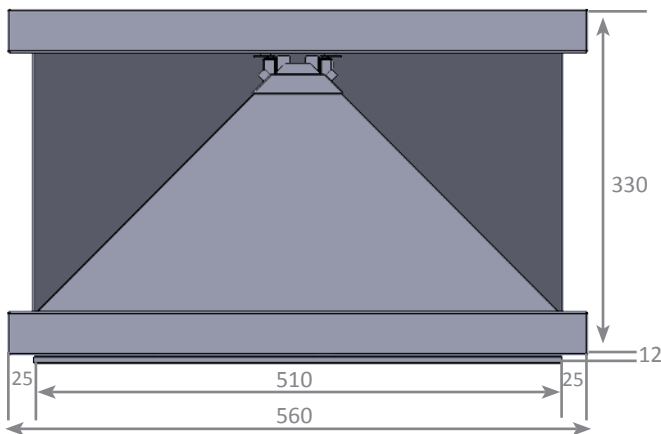


Picture of Dreamoc HD3 packaging

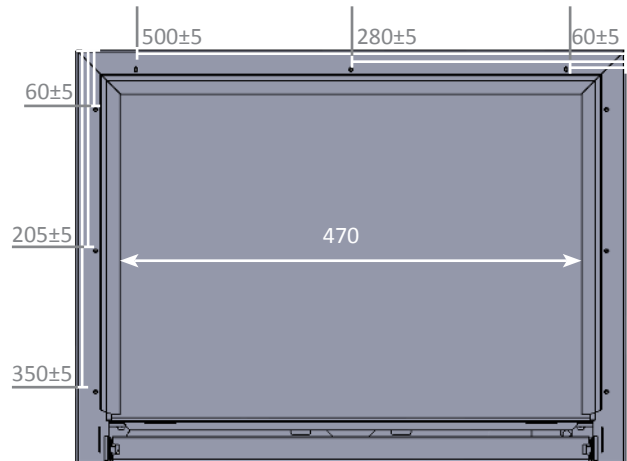


screw measurements

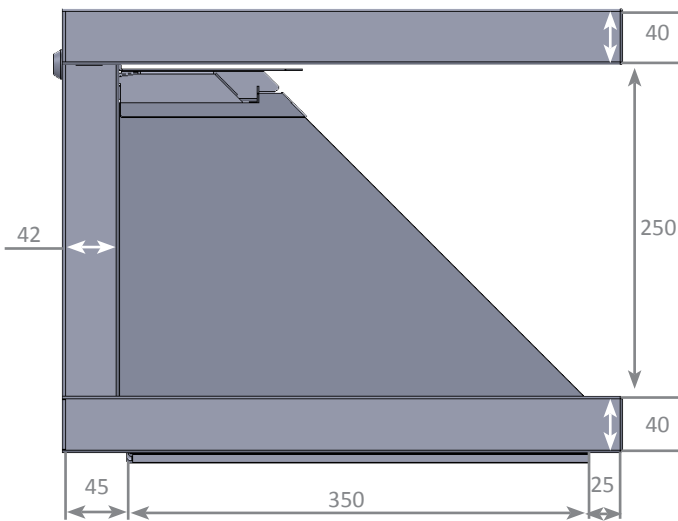
DIMENSIONS: All figures are in mm



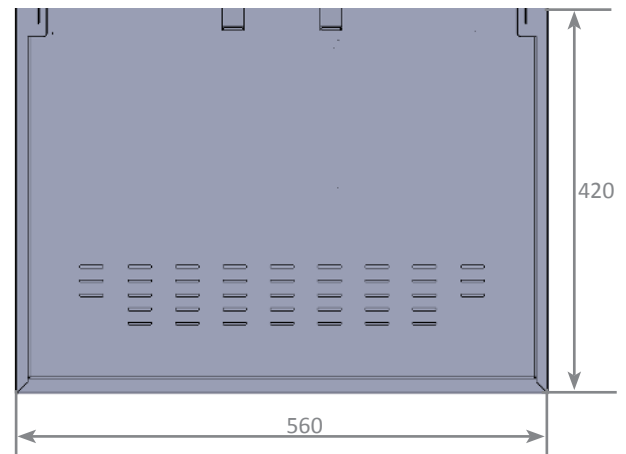
Dreamoc HD3 front - measurements



Dreamoc HD3 bottom - screw positions

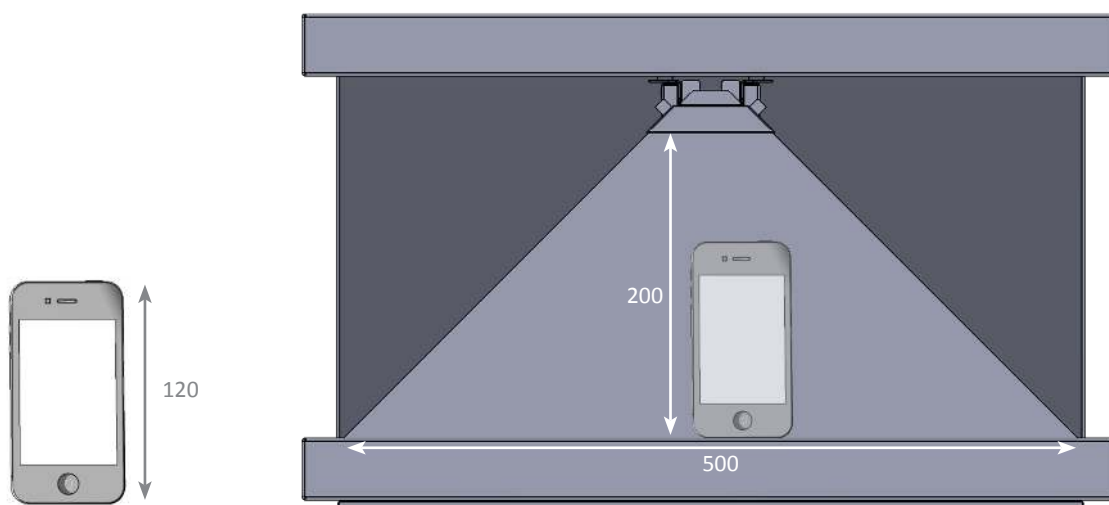


Dreamoc HD3 left side - measurements









Dreamoc HD3 top - measurements

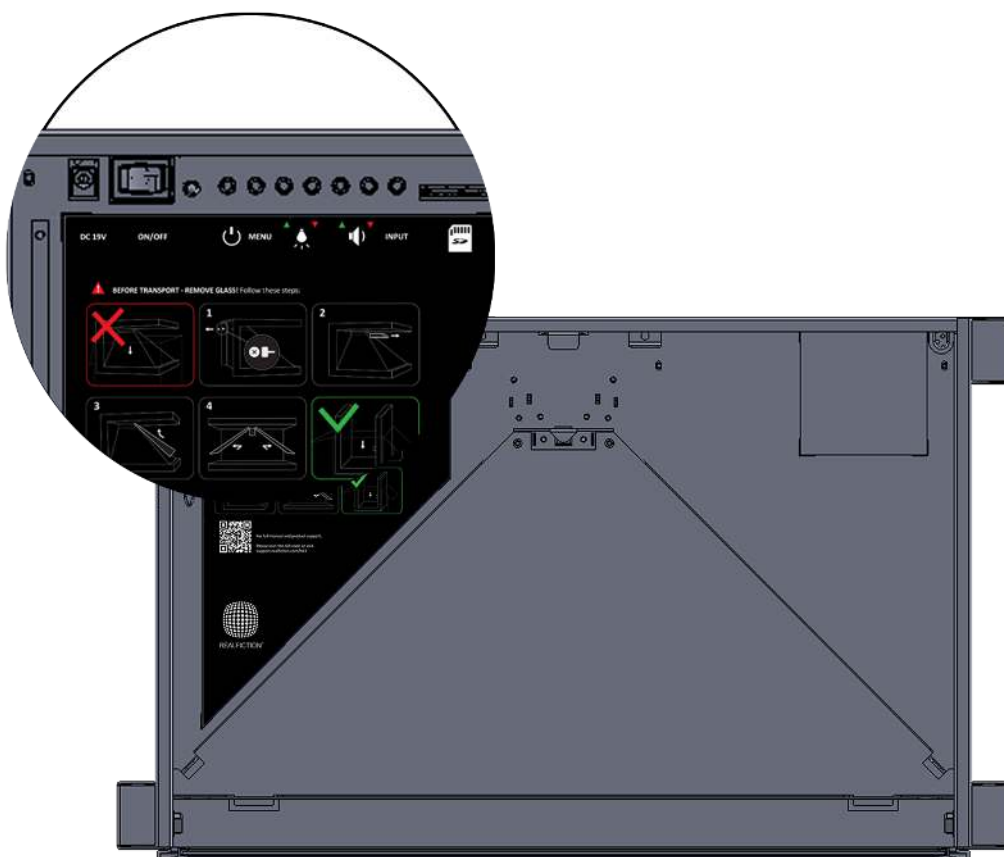
## OBJECT REFERENCE



Dreamoc HD3 front - object reference

## EASY OPERATION

-  ON/OFF Power on / off
-  Standby
-  MENU Menu
-  Spotlight up / down
-  Volume up / down
-  INPUT Input / select
-  SD card in / out



## PACKAGE CONTENT

**Dreamoc HD3 display** - containing:

- SD card with demo movie

**Quick Guide**

**Mirror Box** - containing:

- Mirrors (optic)
- Plastic bag containing rubber gloves, Quick Guide and cleaning cloth

**Accessory Box** - containing:

- Two keys for the Dreamoc HD3 backdoor (same code for all Dreamoc HD3 locks)
- Optic Lock
- Spare screws for optic lock
- Power adapter ( LITEON / Adapter 65W/19V / PA-1650-64 / Power DC Jack19V )
- Euro power cable 1,5 m
- Unbraco key

## OPTIONAL ACCESSORIES - The following items are not included

### FLIGHTCASE TROLLEY

Optimal for transportation if you use the Dreamoc in various locations. The flightcase has wheels and an expandable handle, which makes it suitable for personal transport.

**WxHxD:** 630 x 530 x 420 mm

**Weight:** 12 Kg



Dreamoc HD3 Flightcase

### DREAMOC PLAY

With the Dreamoc Play App your Dreamoc easily becomes an interactive selling or presentation tool. Browse and play Dreamoc content easily through a customizable interface. Available free on App Store.



SCAN THIS QR-CODE  
AND GET DREAMOC PLAY APP  
FOR FREE

# STAND

The stand places the Dreamoc in the perfect viewing height. Produced in steel.

- Very easy to assemble
- Adjustable rubber feet for excellent stability
- Can easily be covered with foil for visual branding

WxHxD: 563 x 1200 x 420 mm

Weight: 19 kg

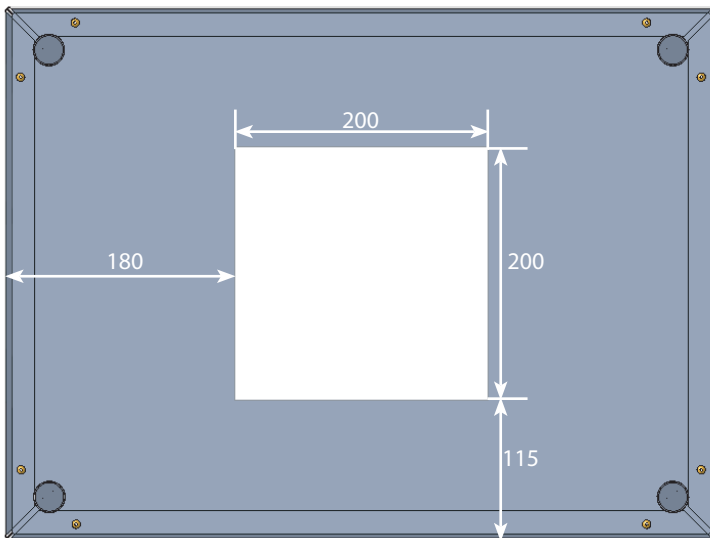
Freight measurements

WxHxD: 1350 x 630 x 170 mm

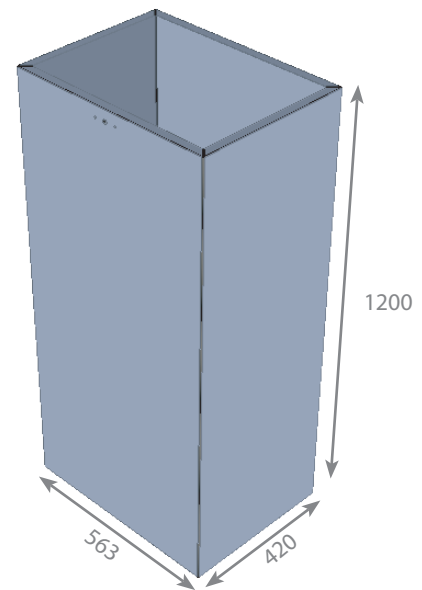
Weight: 23 kg



Dreamoc HD3 Stand



Dreamoc HD3 Stand bottom - measurements



Dreamoc HD3 Stand - measurements

Orbis Holographics - 102 Rue des Poissonniers - 75018 Paris - France

Phone: +33 6 86 55 24 38

contact@orbis-prod.fr

www.orbis-prod.fr

© 2017 Orbis Holographics. All rights reserved.

Specifications are subject to changes. We accept no liability for errors and changes.